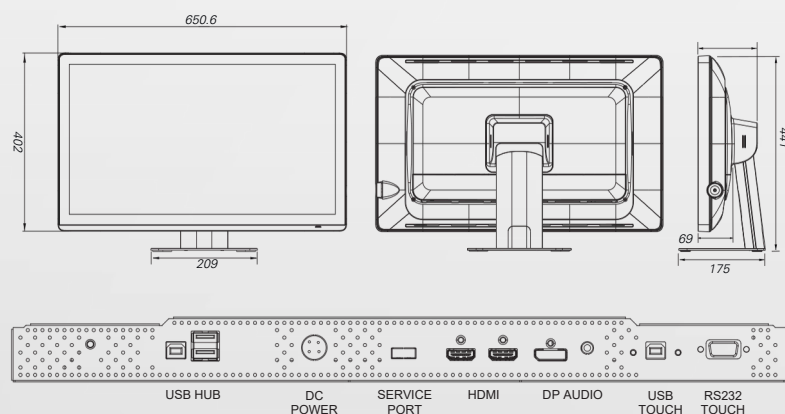


27" 4K FHD Medical Monitor

Model MTM2700-4K

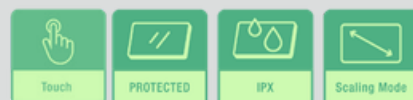


Contec Americas MTM Series



- 27-inch medical gradetouchdisplay
- 3840 x 2160 resolution (4K)
- 16:9 Ultra-wide angle
- PCAP 10 point touch
- Front Bazel IP65 waterproof/dustproof design
- Full-screen coverage with AG glass

(Unit: mm)



Specifications are subject to change without notice.

Model Name		MTM2700-4K	Optional
ID Type		True Flat(P-Cap)	-
Panel Spec	Type	AHVA	IPS
	Resolution	3840(H)x2160(V)	-
	Screen Size (inch)	27	-
	Display Area (mm)	596.16(H)x335.34(V)	596.74 (H)x 335.6 (V)
	Pixel Pitch (mm)	0.15525(H)x0.15525(V)	0.1554(H)x0.1554(V)
	Viewing Angle (degree)	178(H)/178(V)	-
	Response Time (ms)	16 (Rising + Falling)	14 (GtoG)
	Brightness (cd/m ²)	500 (typ.)	350 (typ.)
	Contrast Ratio	1000:1 (typ.)	1300:1 (typ.)
	Color Depth (bits)	10 (8bit + A-FRC)	-
I/O Interface	DVI	N/A	-
	DP	D P1. 2 x1	-
	VGA	N/A	-
	HDMI	HDMI 2.0x2	-
	USB	USB Type-A x2	-
	Audio	Digital/3.5mm	-
	Interface	Co m b o (USB/ R S2 32)	-
Touch/Glass	Type	P-Cap	-
	Touch Point	10	-
	Screen Printing	Black	-
	Glass Coating	AG	-
	Interface	Co m b o (USB/ R S2 32)	-
	Color Temperature	Neutral/Warm/Cool/User	-
	Gamma Selection	DICOM/Calibration/1.8/2.0/2.2/2.4	-
Features	Gamma LUT (bits)	14	-
	OSD Languages	English/Spanish/French/German/Italian/Chinese(simplified)/Japanese	-
	Speaker	2W Speaker	-
	Scaling Mode	Full Screen/Native/4:3/16:9/16:10	-
	Power Supply	DC 24V	-
	Power Consumption (W)	90(Max)	-
	Dimensions (WxHxD) (mm)	651x441x175(with Stand) 651x402x69(w/o Stand)	-
Physical Characteristics	VESA Mounting (mm)	100 x100	-
	Weight (Kg)	13.7 (with Stand) 11.8 (w/o Stand)	-
	ID Color	White	Black
	IP Rating (Front)	IP65	-
	IP Rating (Back Cover)	IPx1	-
	Tilt Range (degree)	0~+30	-
	Pivot Range (degree)	N/A	-
	Swivel Range (degree)	N/A	-
	Height Adjustment (mm)	N/A	-
	Reliability	Operating Temperature(°C)	10 to 40
Operating Humidity (RH)		30% to 75%	-
Storage Temperature (°C)		-20 to 60	-
Storage Humidity (RH)		10% to 90%	-
Certifications and Compliances		cTUVus(ANSI/AAMI ES60601-1;CAN/CSA-C22.2 60601-1),CB(IEC 60601-1),CE(EN 60601-1-2;EN 60601-1),FCC Part 15, ROHS,WEEE	-