

1000BASE-LX SFP module (10 km, SMF)
SH-SFP-1G-LXD



* Specifications, color and design of the products are subject to change without notice.

Specifications

Absolute rating

Item	Contents
Storage ambient temperature	-40 - +85°C
humidity	10 - 90%RH (However, it should not condense.)

Recommended conditions

Item	Contents
Operating temperature	-40 - +85°C
Rated input voltage	3.3V
Rated input current	300mA

Interface specifications

Item	Contents	
Cable used	Single-mode fiber	
Optical	1000BASE-LX(LC)	
Center wavelength	1310nm	
Transmit light level	Max	-3dBm
	Min	-9dBm
Received Light Level	Maximum	-3dBm
	Minimum	-21dBm
Maximum Transmission Range	10km	

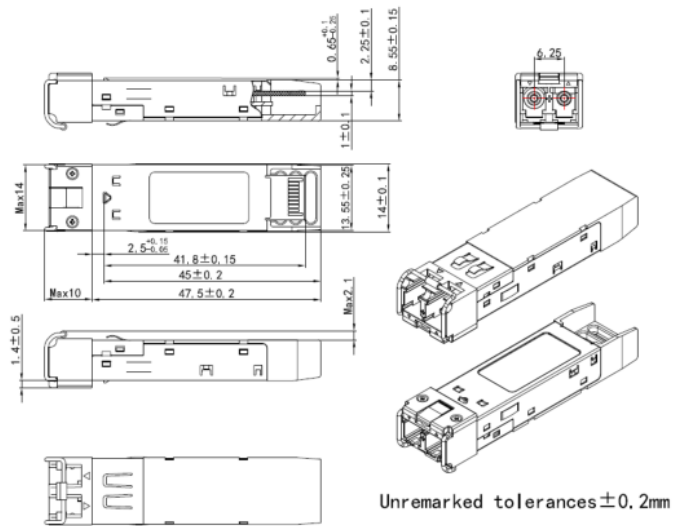
Included Items

Product [SH-SFP-1G-LXD] ... 1
Please read the following ... 1

An SFP module is an expansion module that converts electronic signals into optical signals and is connected to a switching hub. SFP stands for small form-factor pluggable and is also called optical transceiver. SFP modules (optical fibers) can extend the transmission distance of UTP cables, which is limited to 100 meters.

- * The contents in this document are subject to change without notice.
- * Visit the CONTEC website to check the latest details in the document
- * The information in the data sheets is as of December, 2024.

Physical Dimensions



Installation

1. Remove the dust cover from the SFP slot.
2. With the handle up (along the SFP), hold the SFP by its sides and insert it into the slot until it clicks into place.



3. Remove the dust cover from the SFP.

* Prepare a separate optical cable to be connected to the SFP module.